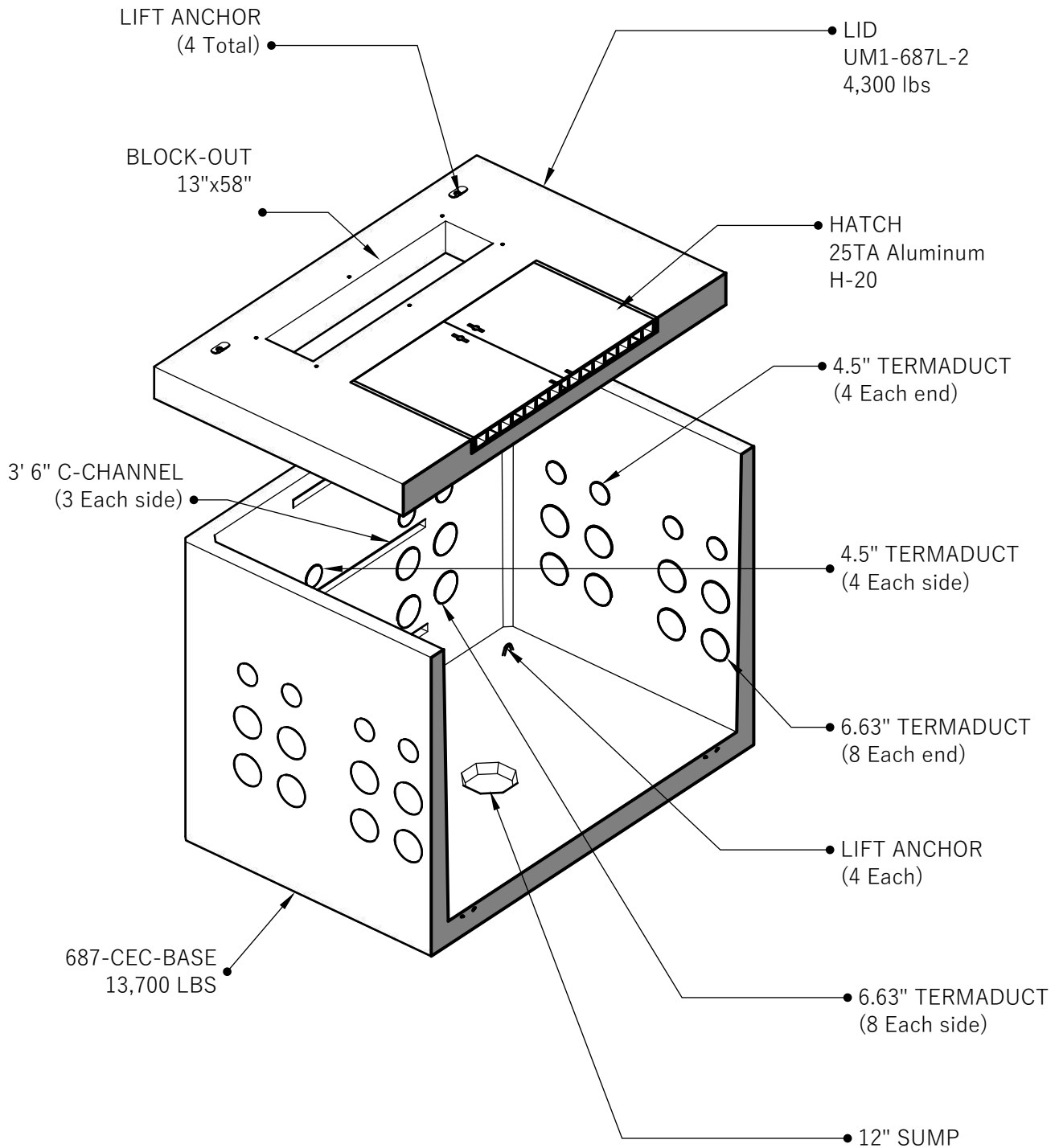


# UM1-687L-2

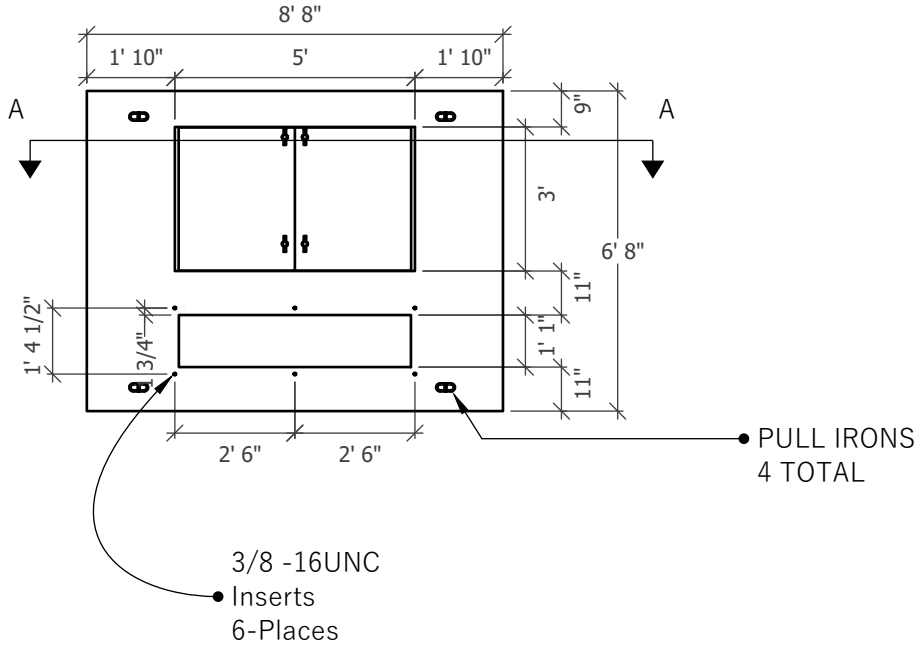
## SECTION AA



ISOMETRIC	 541-923-3272 1111 NE 11TH ST. REDMOND, OR 97756	Date Modified: February 6, 2024	<b>1</b>
		Plan Sheet:	
Customer:	Project:	Product: UM1-687L-2	

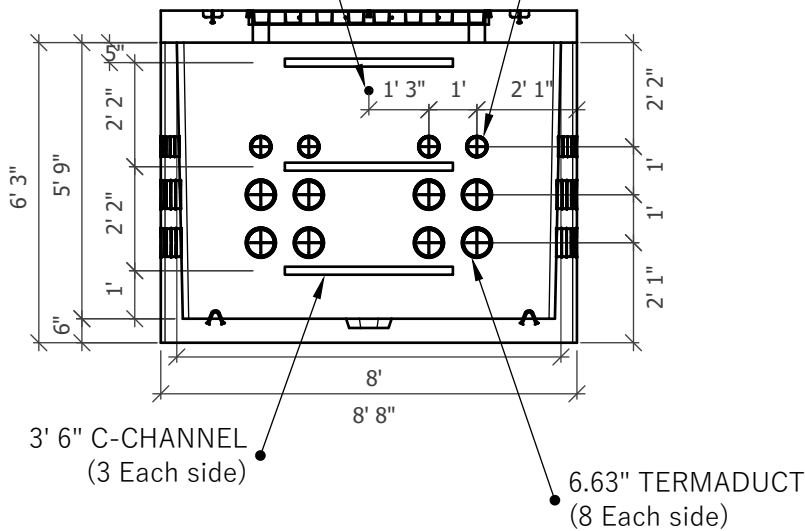
# UM1-687L-2

## PLAN VIEW

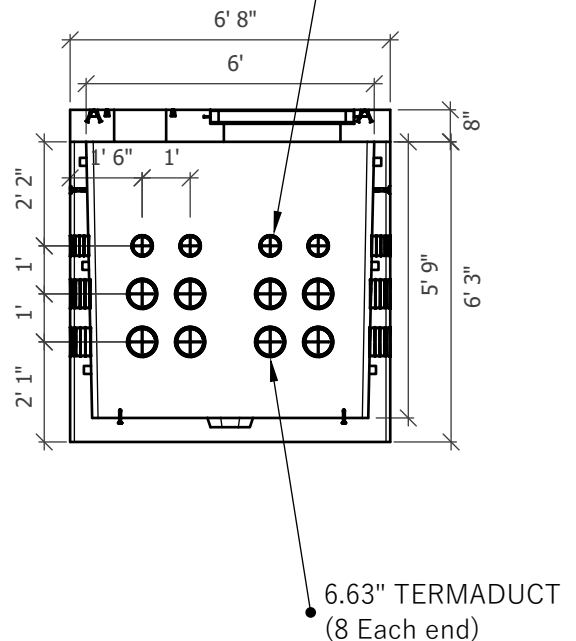


1/2" GROUND INSERT  
1 Inside & outside  
Each side

4.5" TERMADUCT  
(4 Each side)



4.5" TERMADUCT  
(4 Each end)



## SIDE VIEW

## END VIEW

PROFILE



541-923-3272  
1111 NE 11TH ST.  
REDMOND, OR  
97756

Date Modified: February 6, 2024

Plan Sheet:

Customer:

Project:

Product: UM1-687L-2

2