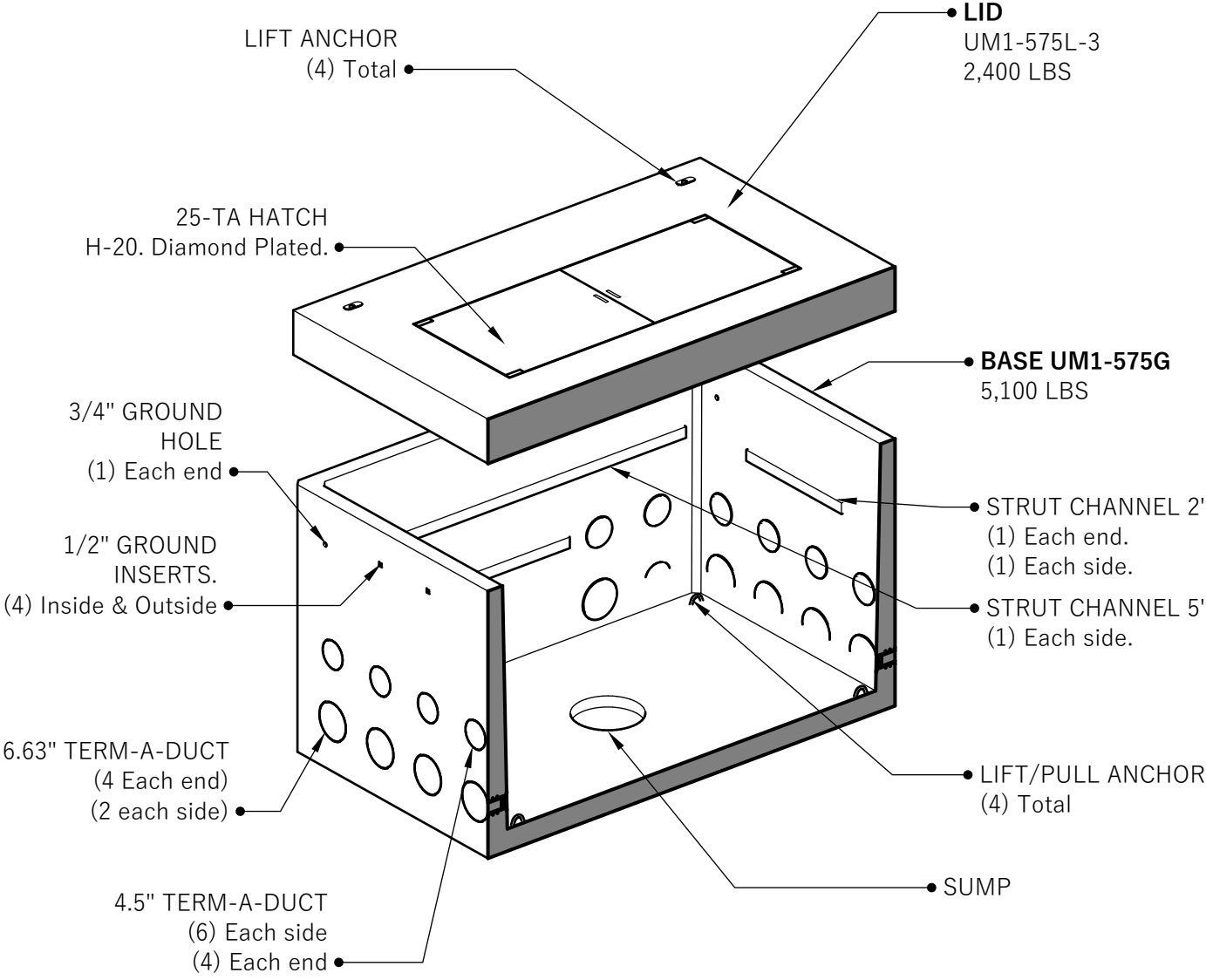


CEC UM1-575L-3

SECTION AA



Customer:
Project:
Product: CEC UM1-575L-3

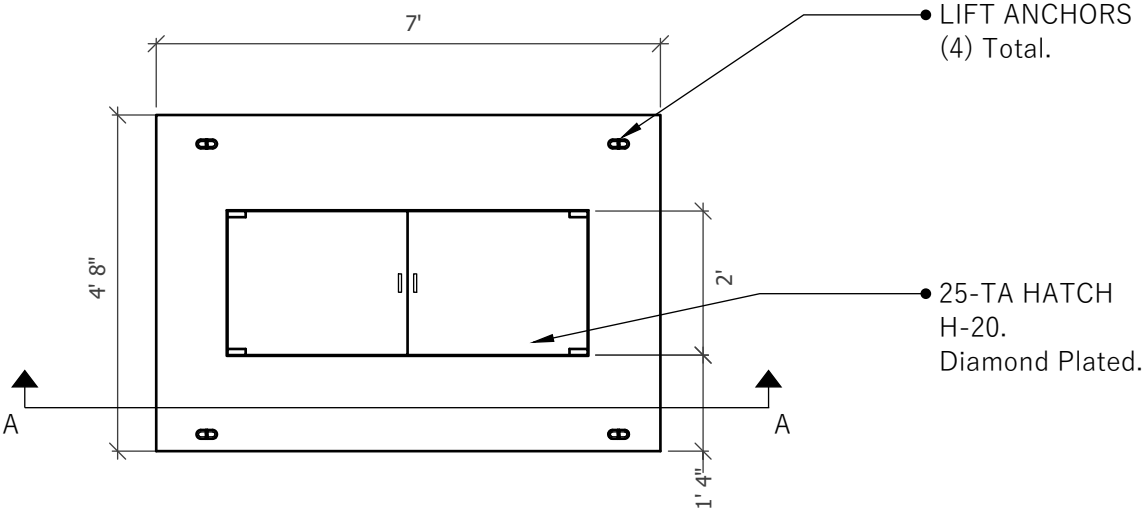


CEC UM1-575L-3

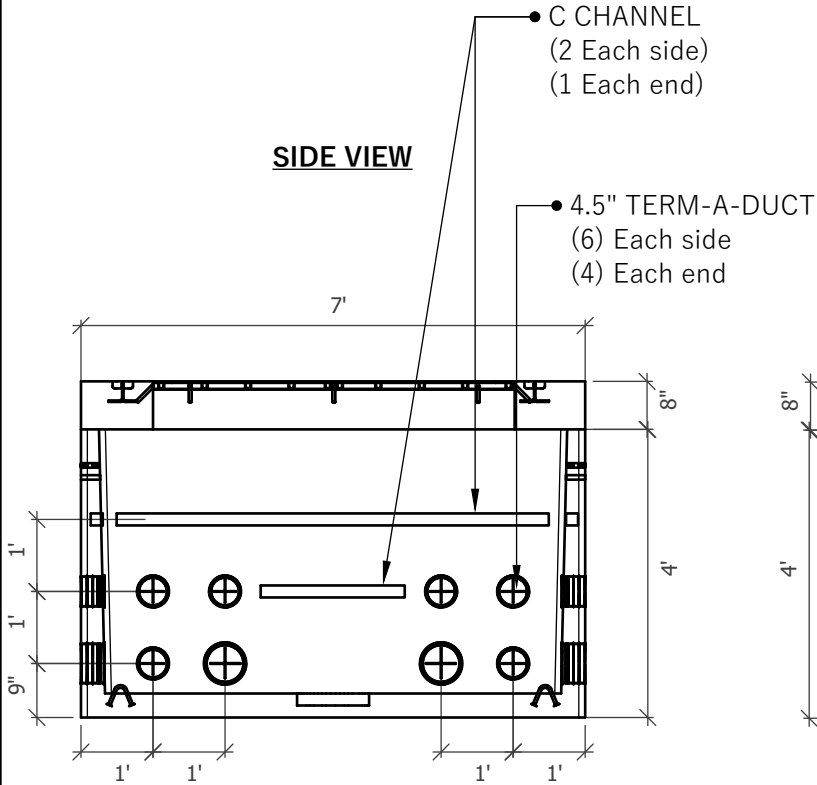
541-923-3272
 1111 NE 11TH ST.
 REDMOND, OR
 97756

CEC UM1-575L-3

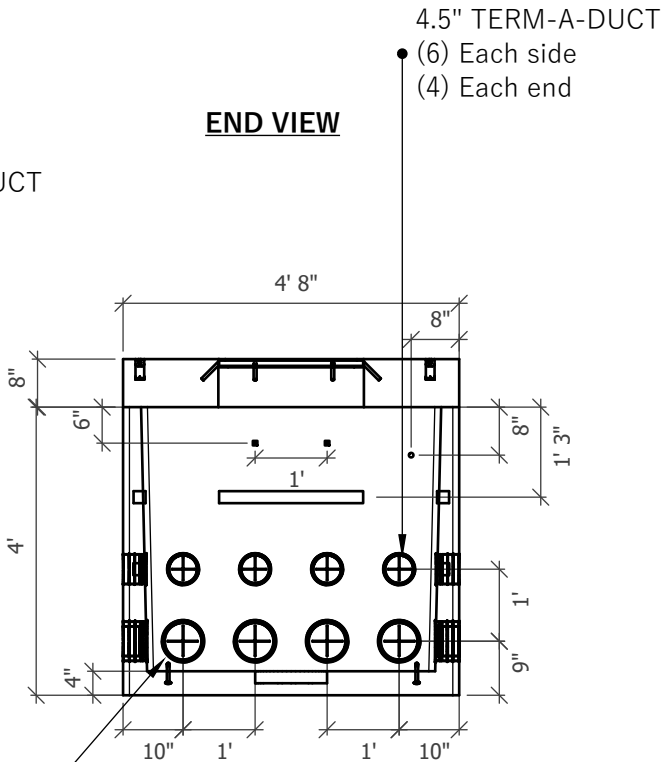
PLAN VIEW



SIDE VIEW



END VIEW



6.63" TERM-A-DUCT
(4 Each end)
(2 each side)

Customer:
Project:
Product: CEC UM1-575L-3



CEC UM1-575L-3

541-923-3272
1111 NE 11TH ST.
REDMOND, OR
97756