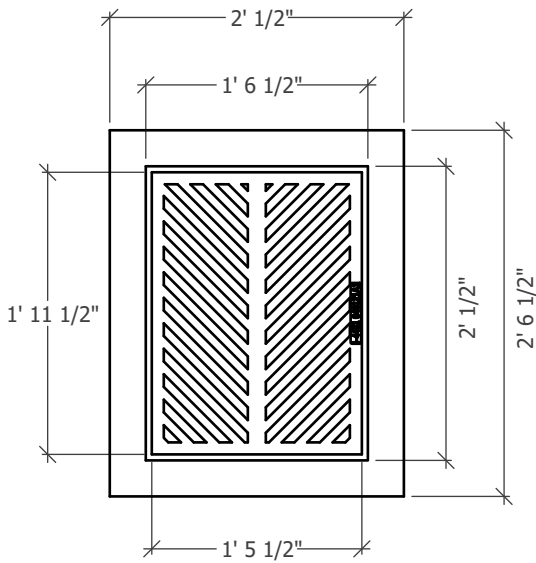
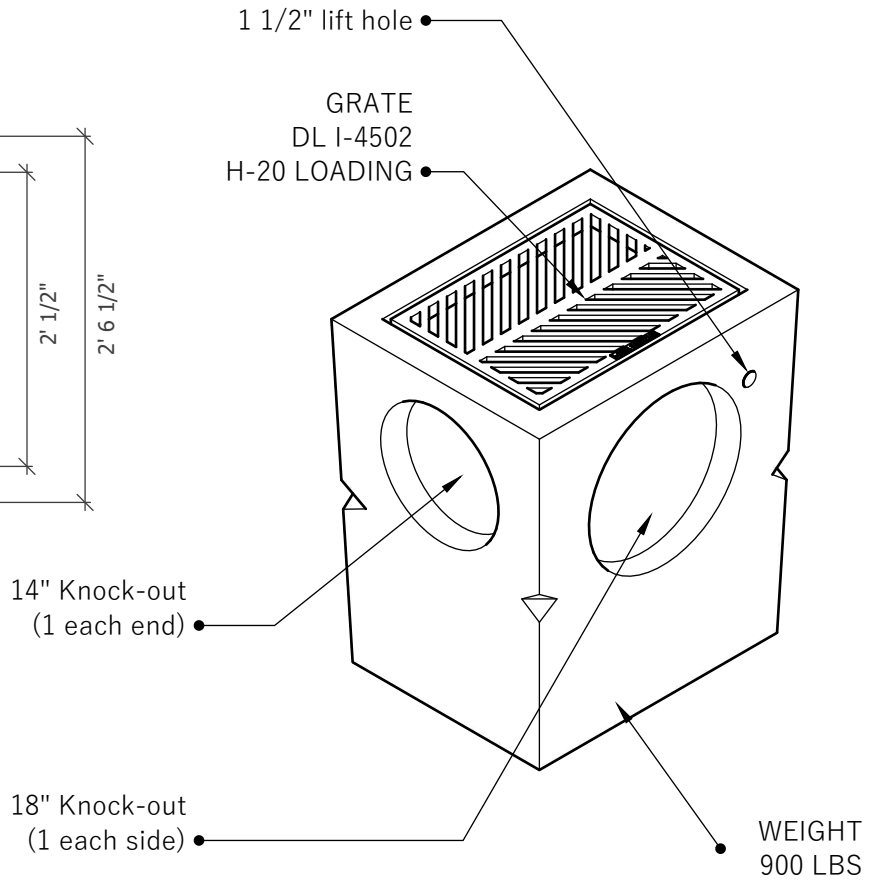


# TYPE 30 CATCH BASIN

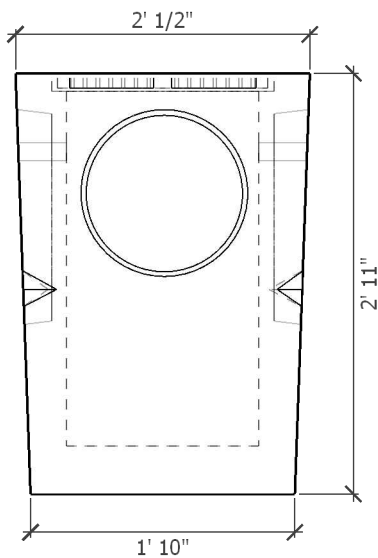
**TOP**



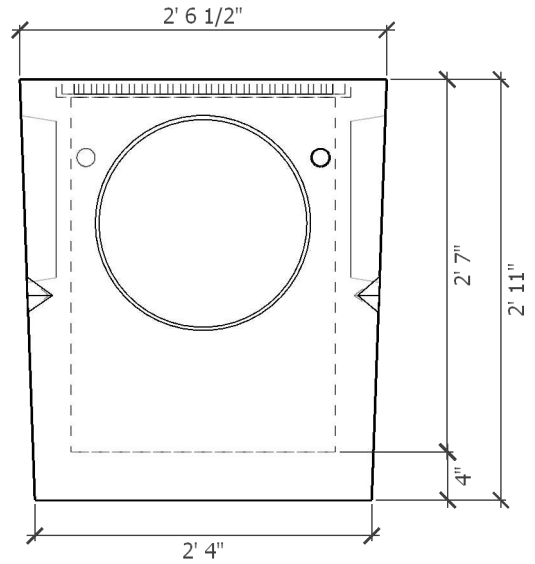
**ISOMETRIC**



**END**



**SIDE**



ISOMETRIC



541-923-3272  
1111 NE 11TH ST.  
REDMOND, OR  
97756

Date Modified: January 2, 2024

Plan Sheet:

Customer:

Project:

Product: TYPE 30 CATCH BASIN