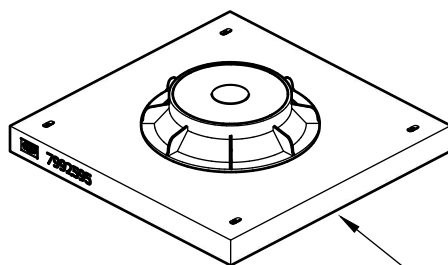
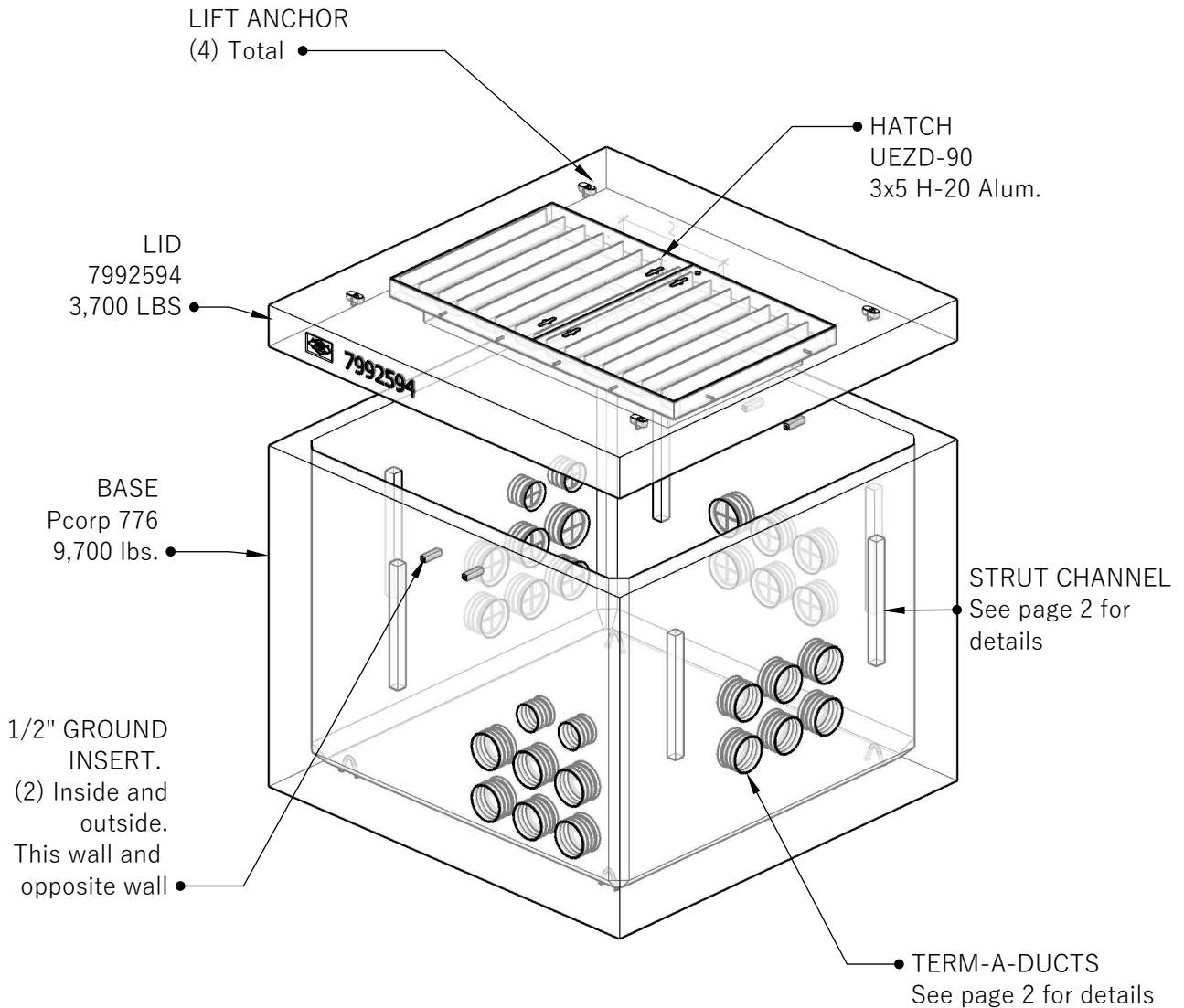


Pcorp 776 7992594

ISO



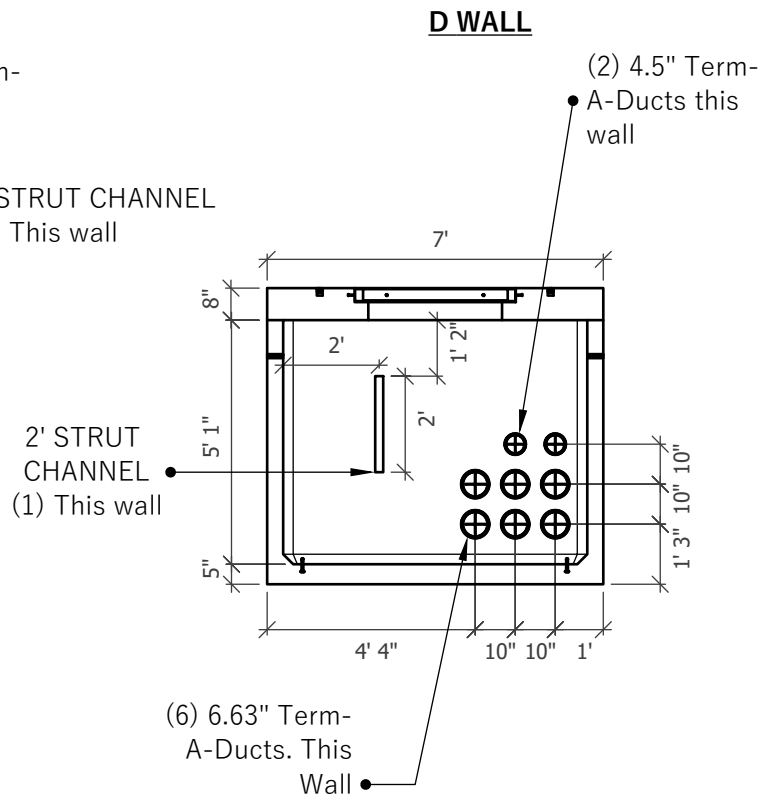
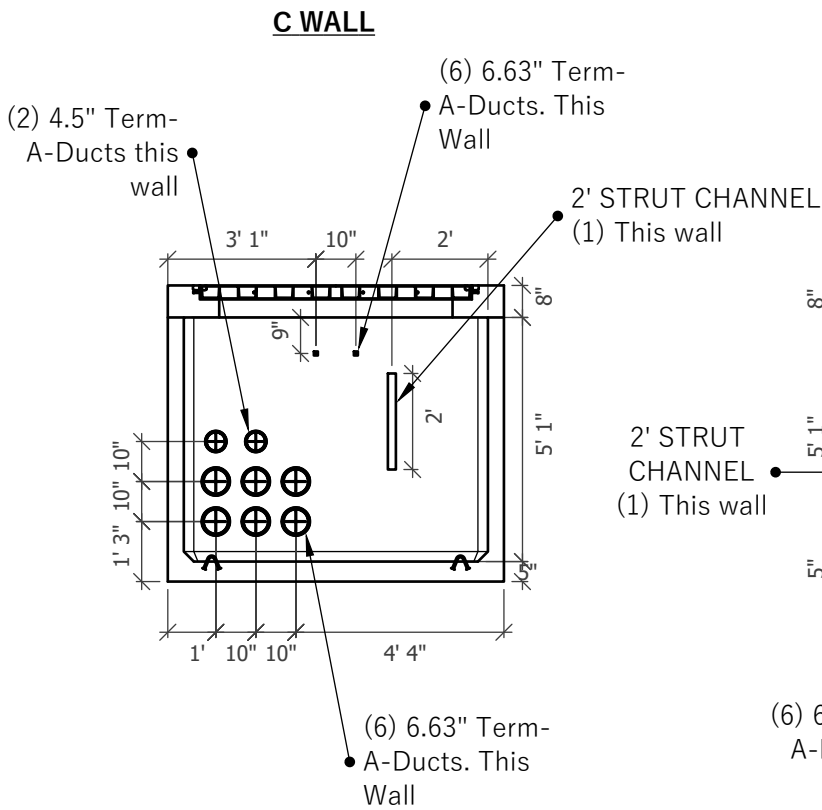
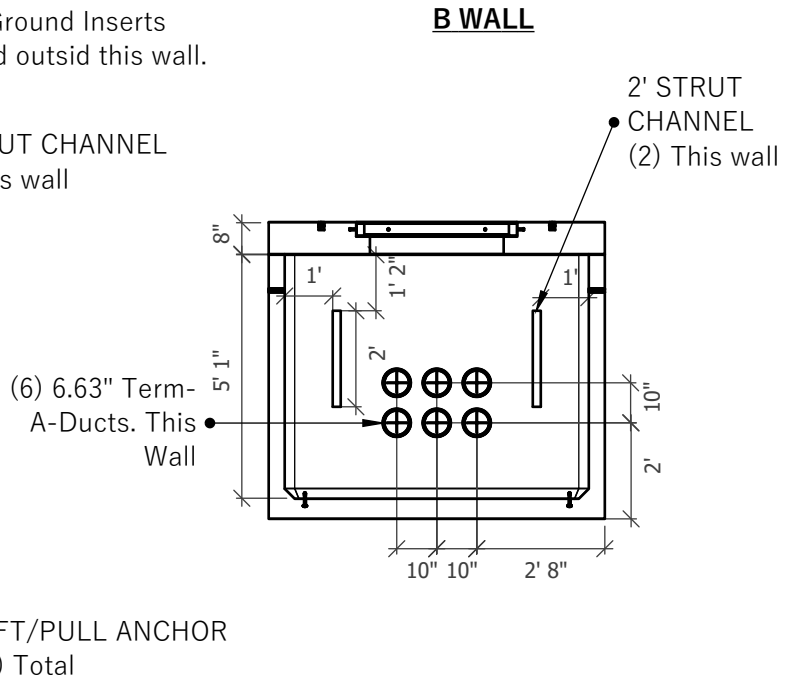
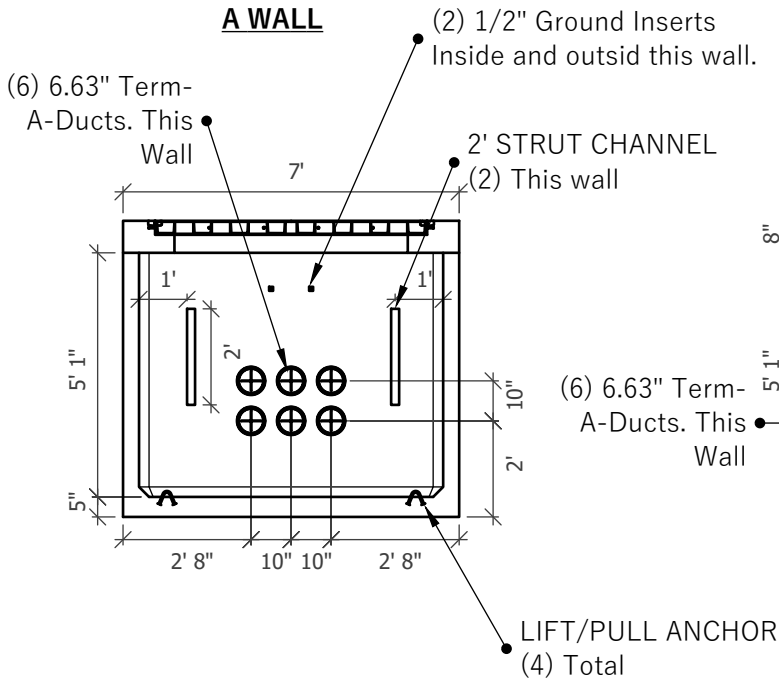
OPTIONAL TOP

Full Traffic Access Cover (7992595)

LID
7992595
4,200 lbs.

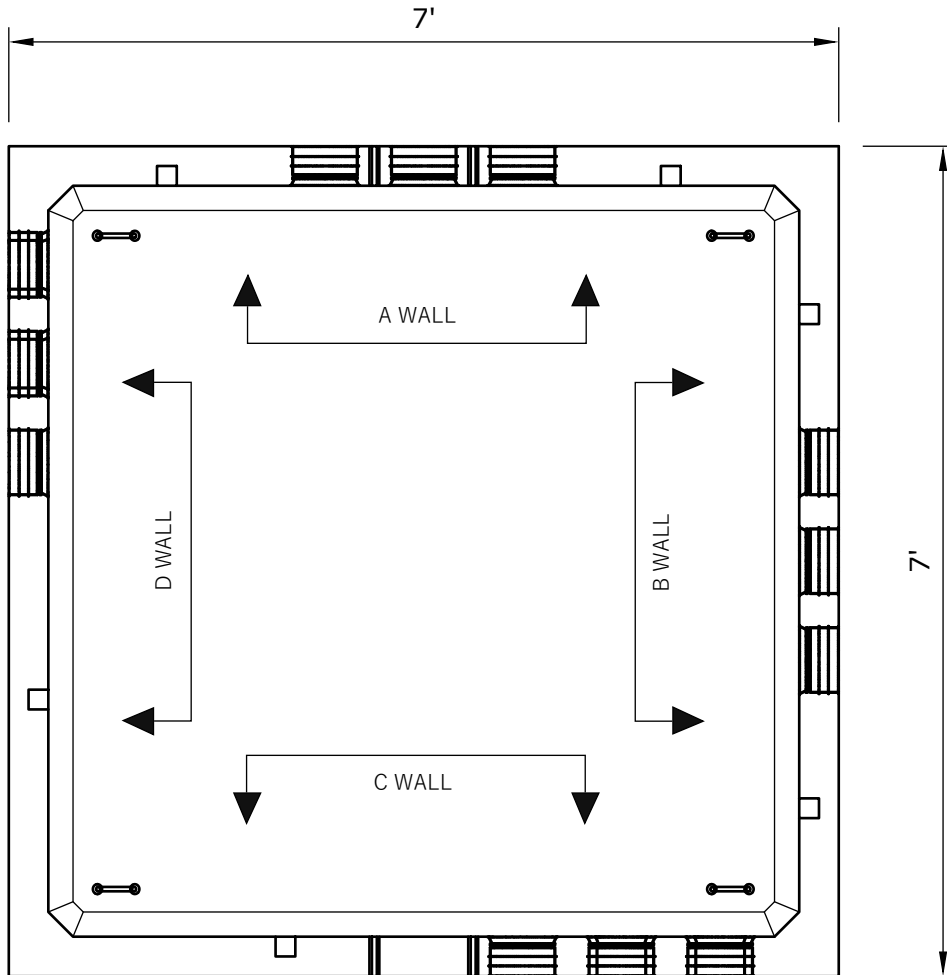
ISOMETRIC	 <p>541-923-3272 1111 NE 11TH ST. REDMOND, OR 97756</p>	Date Modified: September 22, 2021	1
		Plan Sheet:	
Customer:	Project:	Product: Pcorp 776 7992594	

Pcorp 776 7992594



PROFILE	 <p>541-923-3272 1111 NE 11TH ST. REDMOND, OR 97756</p>	Date Modified: September 22, 2021	2
		Plan Sheet:	
Customer:	Project:	Product: Pcorp 776 7992594	

PLAN VIEW



PLAN VIEW		541-923-3272 1111 NE 11TH ST. REDMOND, OR 97756	Date Modified: September 22, 2021	3
			Plan Sheet:	
Customer:	Project:	Product: Pcorp 776 7992594		