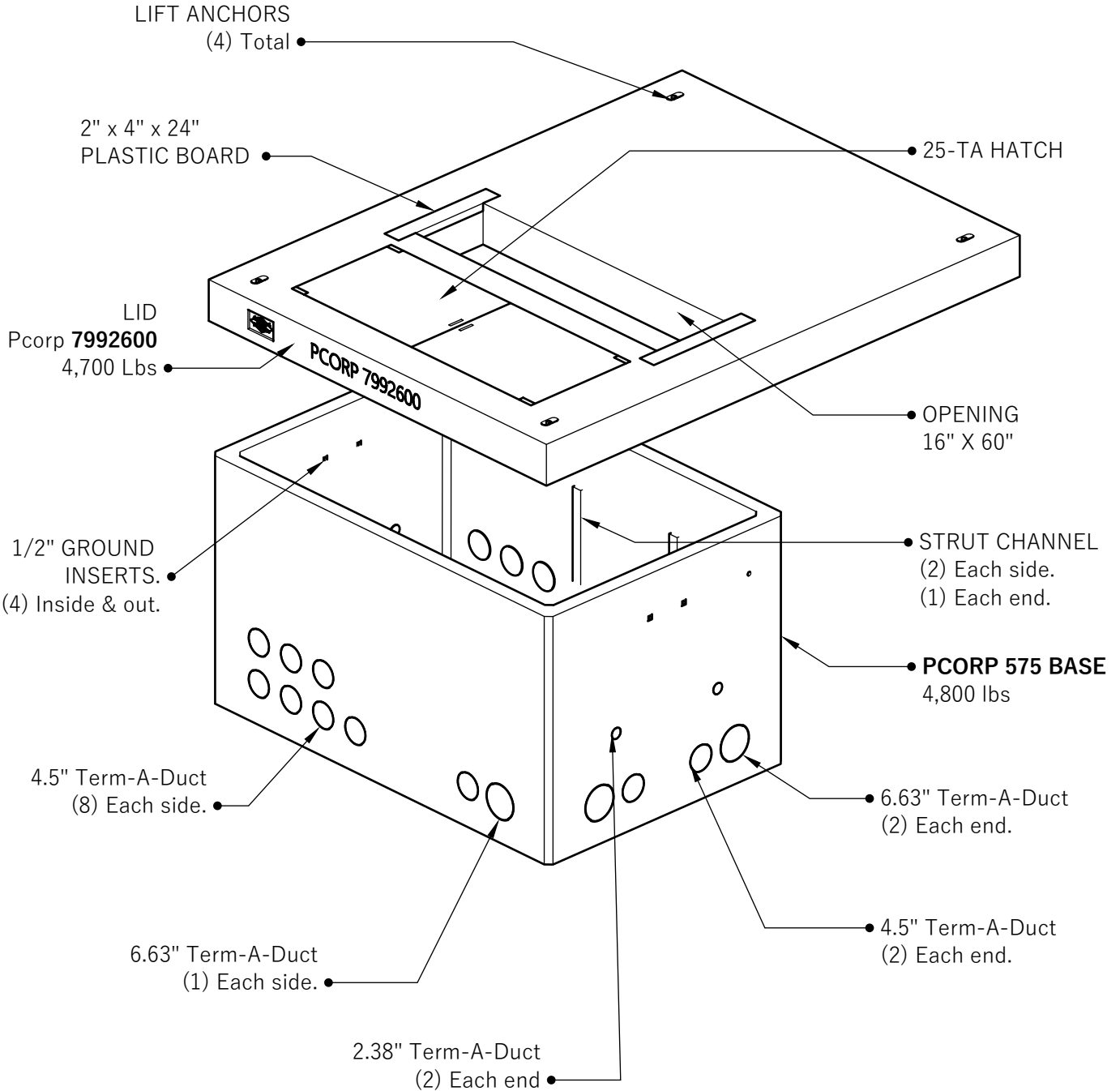


ISO



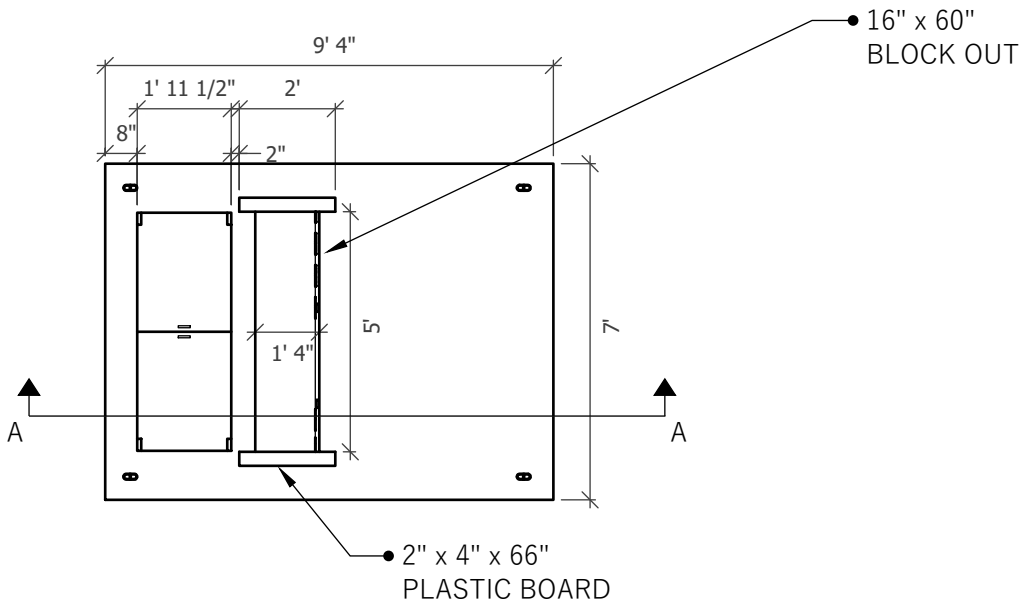
| |
|------------------------------|
| Customer: |
| Project: |
| Product: Pcorp 575 - 7992600 |



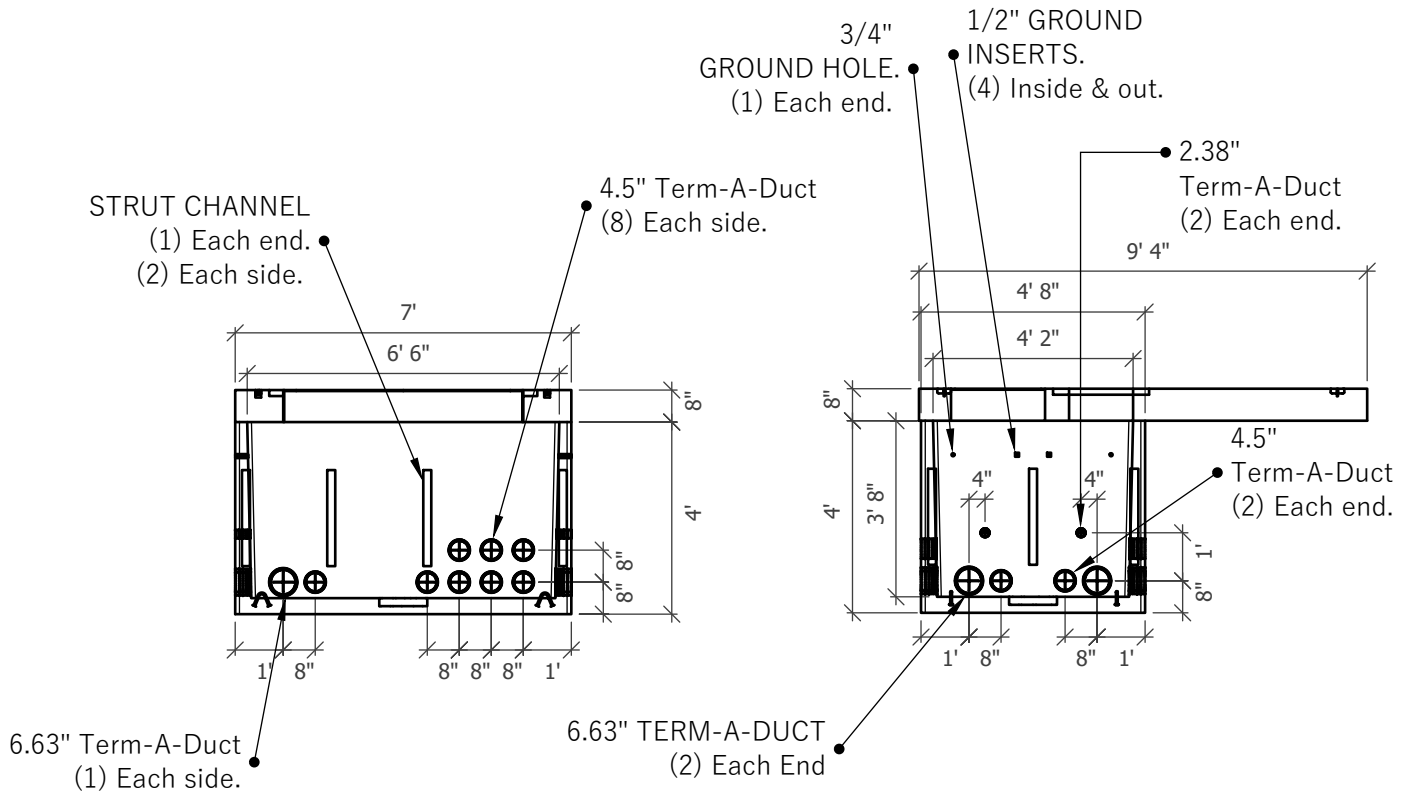
**Pcorp 575 -
7992600**

541-923-3272
1111 NE 11TH ST.
REDMOND, OR
97756

PLAN VIEW



SIDE VIEW



SECTION AA

| |
|------------------------------|
| Customer: |
| Project: |
| Product: Pcorp 575 - 7992600 |



Pcorp 575 - 7992600

541-923-3272
1111 NE 11TH ST.
REDMOND, OR
97756