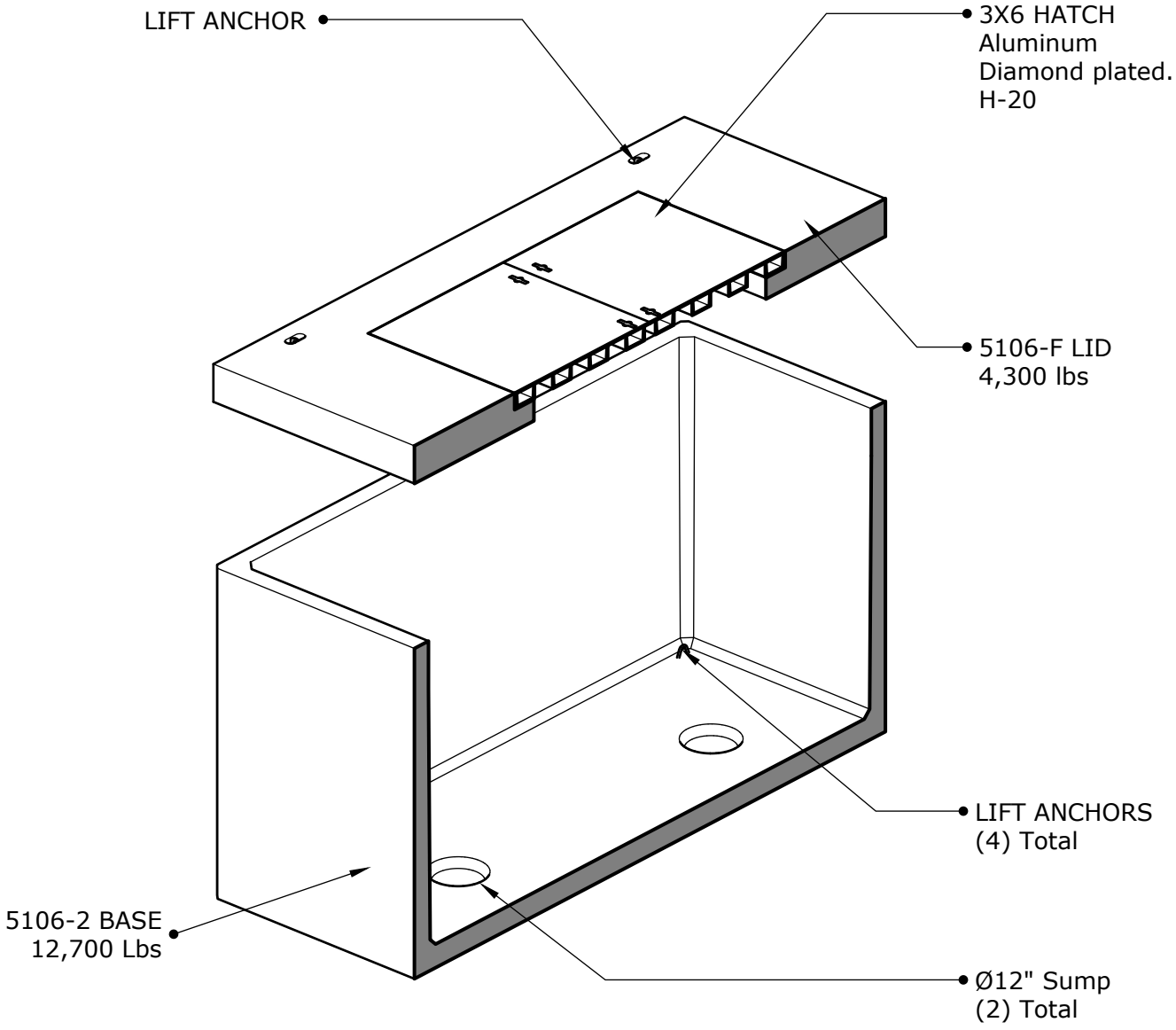


5106-2F-3x6

SECTION AA



Notes:

- * Strut channel optional.
- * Duct terminators optional.
- * Hole coring available.

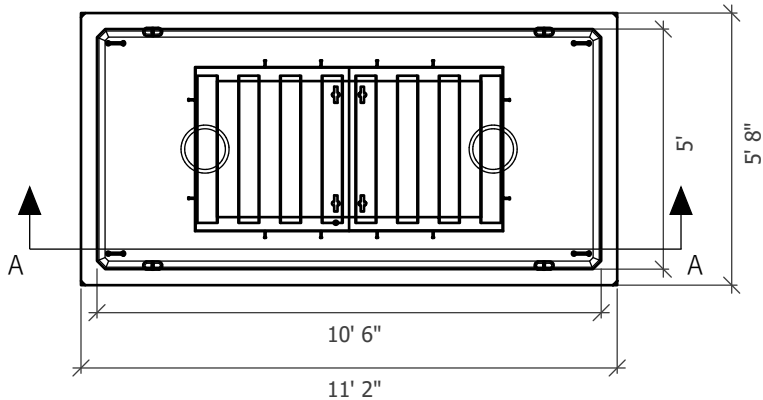


5106-2F-3x6

541-923-3272
 1111 NE 11TH ST.
 REDMOND, OR
 97756

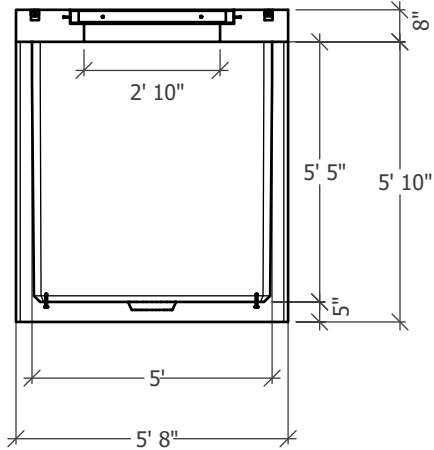
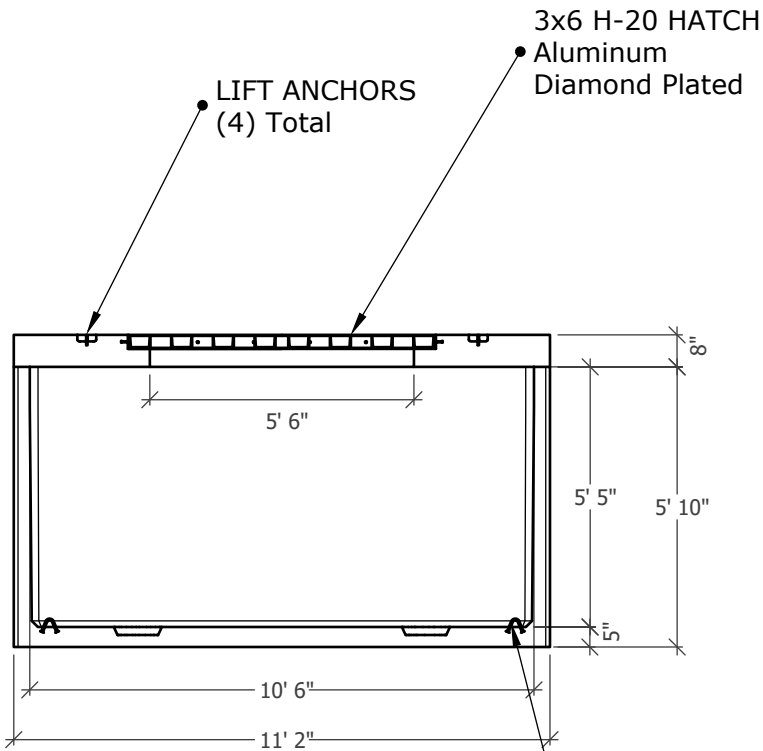
5106-2F-3x6

PLAN VIEW



Notes:

- * Strut channel optional.
- * Duct terminators optional.
- * Hole coring available.



SIDE VIEW

END VIEW

LIFT ANCHORS
(4) Total



5106-2F-3x6

541-923-3272
1111 NE 11TH ST.
REDMOND, OR
97756