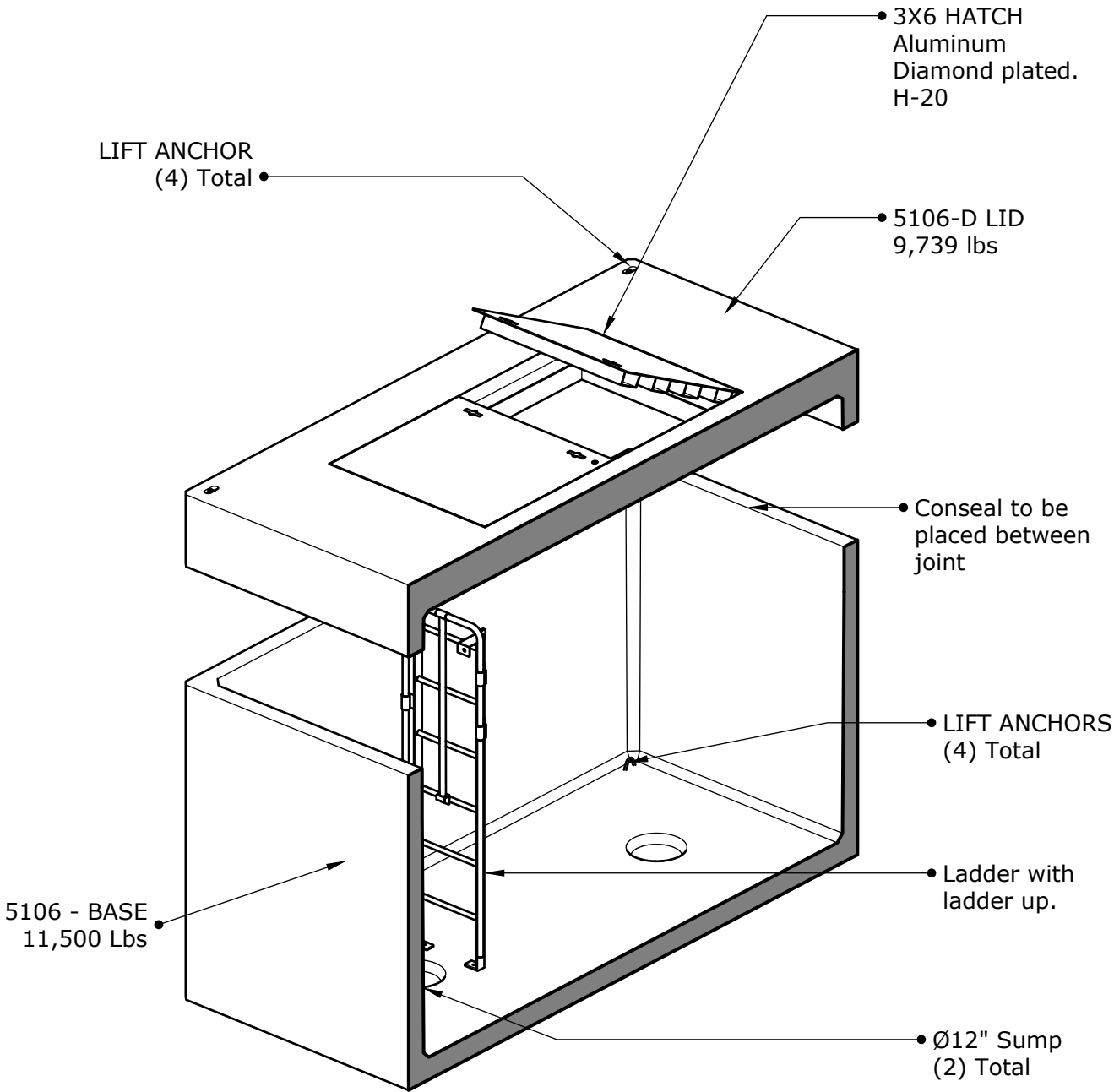


5106 - 2D-3x6

SECTION AA



Customer:
Project:
Product: 5106 - 2D-3x6

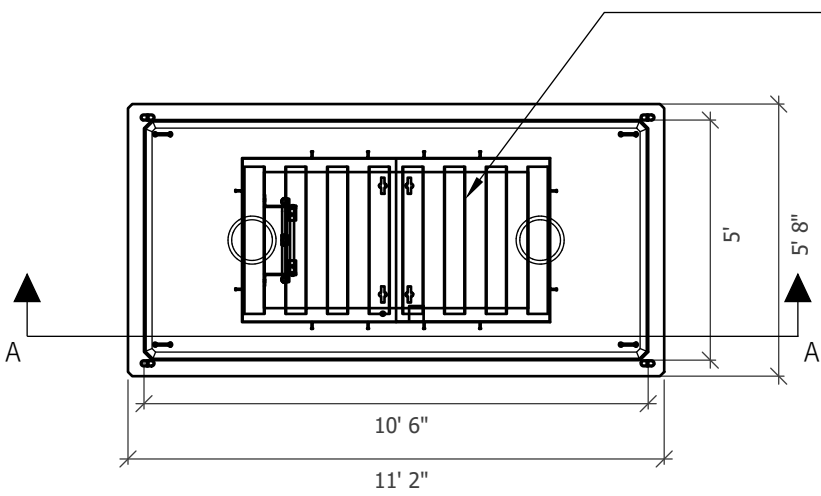


5106 - 2D-3x6

541-923-3272
 1111 NE 11TH ST.
 REDMOND, OR
 97756

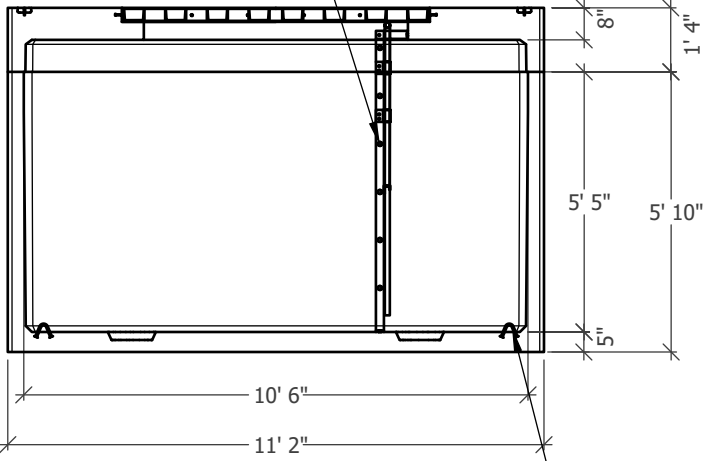
5106 - 2D-3x6

PLAN VIEW



• 3X6 HATCH
Aluminum
Diamond plated.
H-20

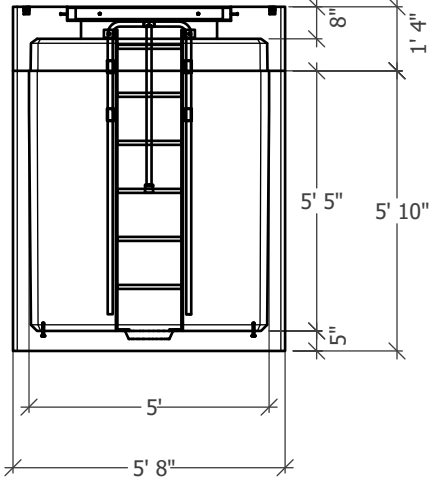
Ladder with
ladder up.



SIDE VIEW

• LIFT ANCHORS
(4) Total

END VIEW



Customer:
Project:
Product: 5106 - 2D-3x6



5106 - 2D-3x6

541-923-3272
1111 NE 11TH ST.
REDMOND, OR
97756