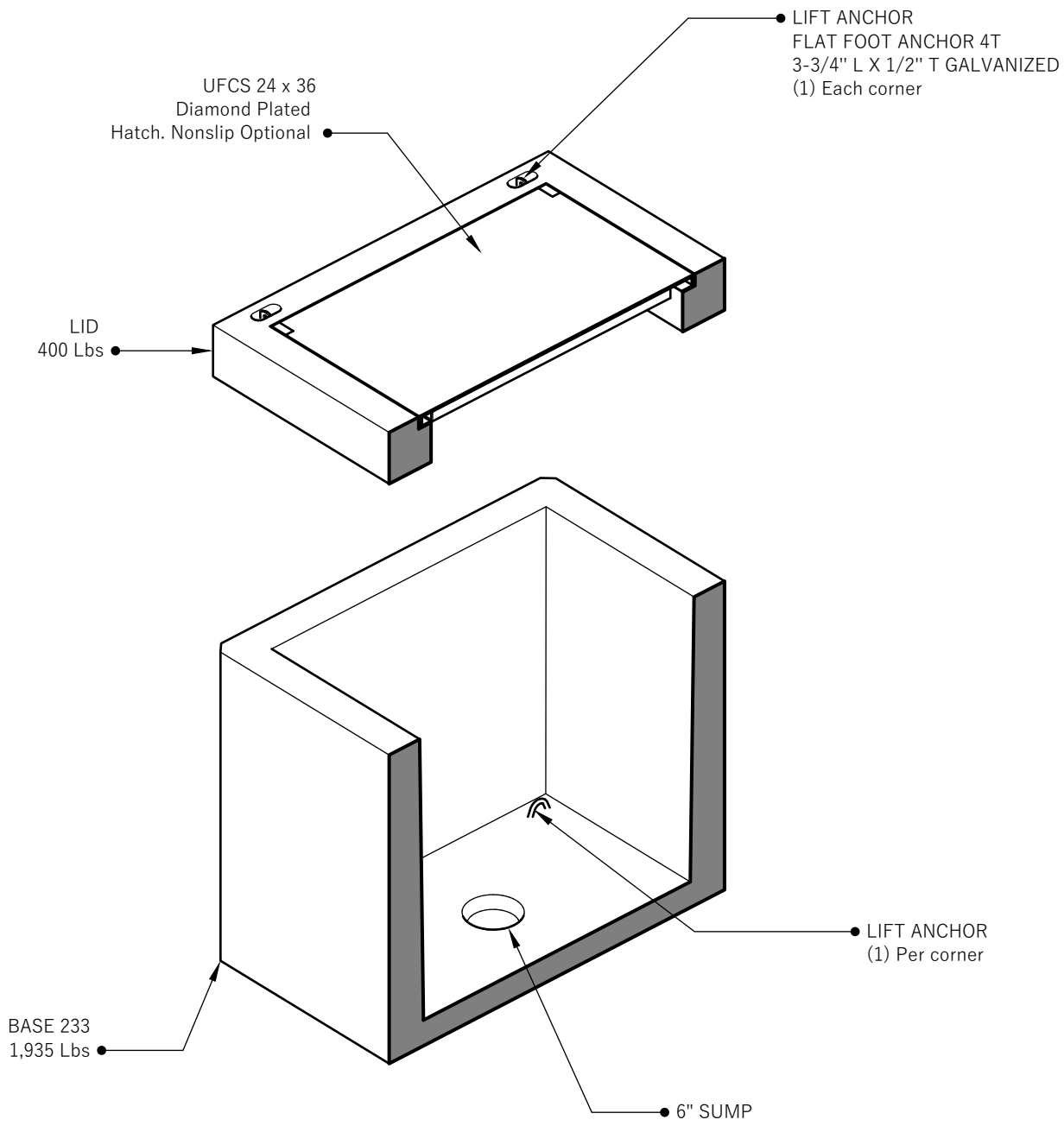


233 LA

SECTION AA



Notes:

- * Knockouts optional.
- * Strut Channel optional.
- * Hole coring optional.

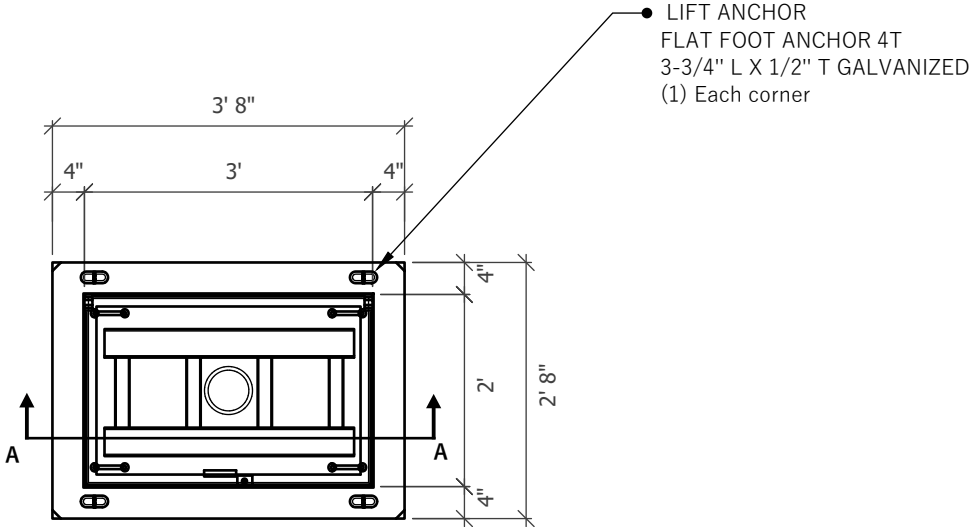


233 LA

541-923-3272
1111 NE 11TH ST.
REDMOND, OR
97756

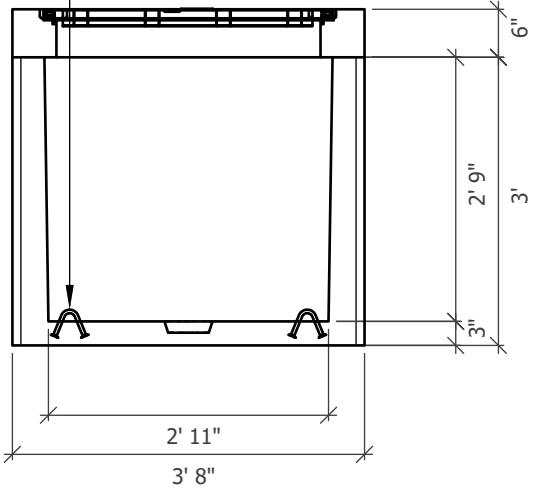
233 LA

PLAN VIEW

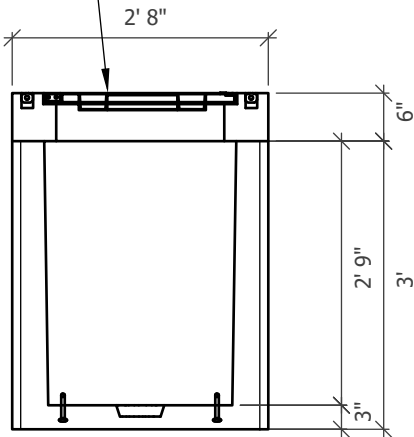


UFCS 24 x 36
 Diamond Plated
 Hatch. Nonslip Optional

LIFT ANCHOR
 (4) Total



SIDE VIEW



END VIEW



233 LA

541-923-3272
 1111 NE 11TH ST.
 REDMOND, OR
 97756