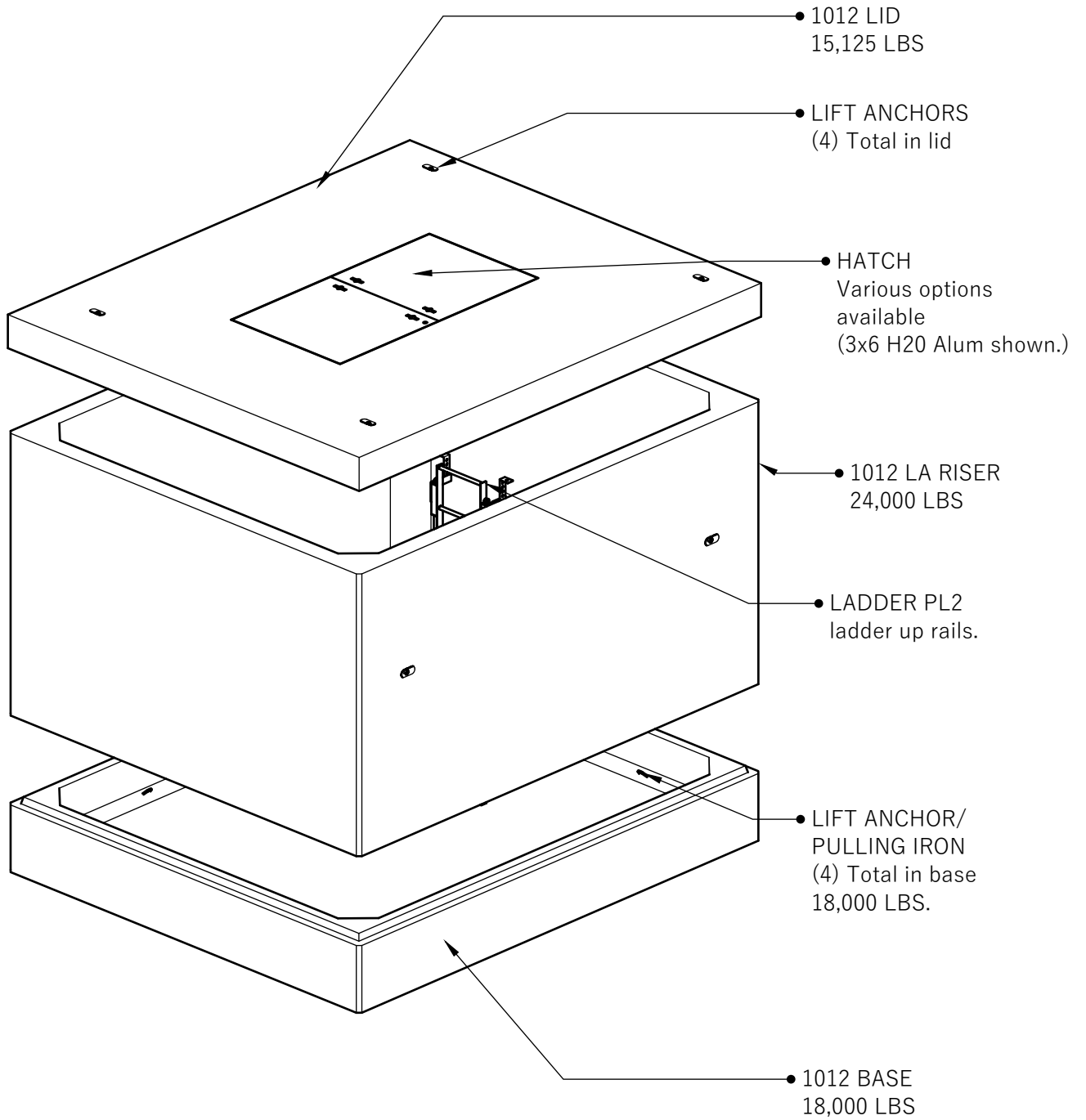


1012 LA

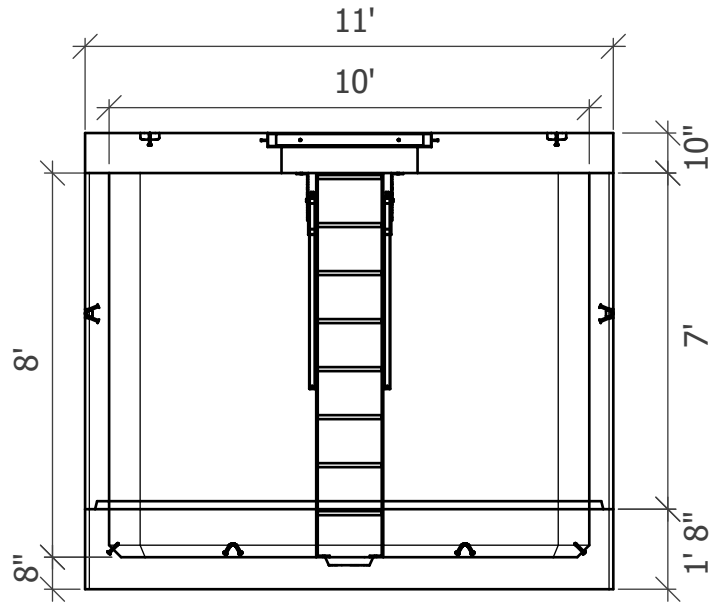
ISOMETRIC



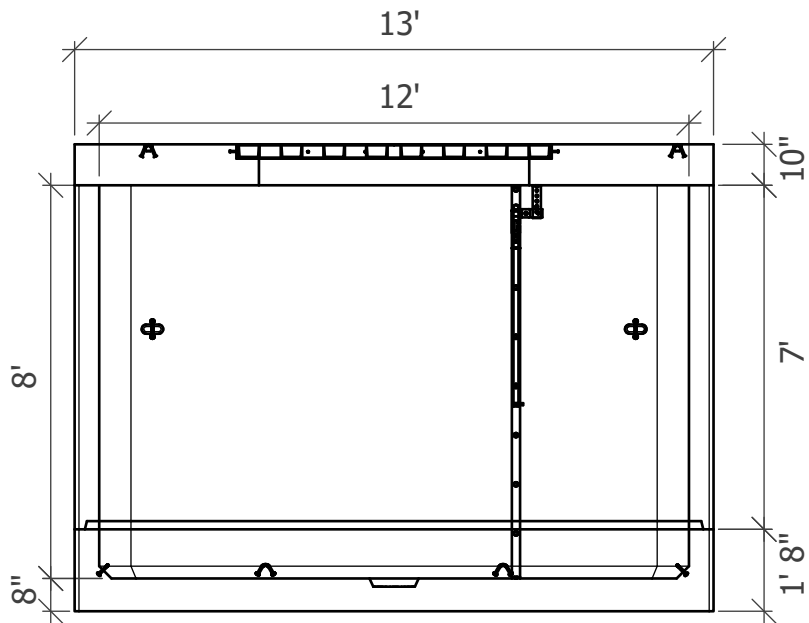
ISOMETRIC	 <p>541-923-3272 1111 NE 11TH ST. REDMOND, OR 97756</p>	Date Modified: December 1, 2022	1
		Plan Sheet:	
Customer:	Project:	Product: 1012 LA	

1012 LA

END



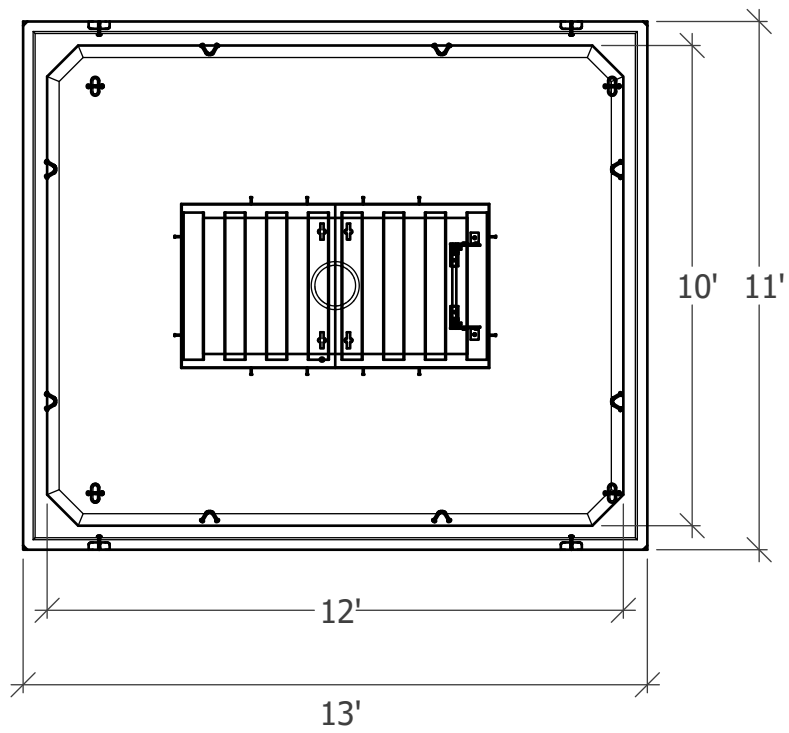
SIDE



PROFILE		541-923-3272 1111 NE 11TH ST. REDMOND, OR 97756	Date Modified: December 1, 2022	2
			Plan Sheet:	
Customer:	Project:		Product: 1012 LA	

1012 LA

PLAN VIEW



PLAN VIEW	 541-923-3272 1111 NE 11TH ST. REDMOND, OR 97756	Date Modified: December 1, 2022	3
		Plan Sheet:	
Customer:	Project:	Product: 1012 LA	